

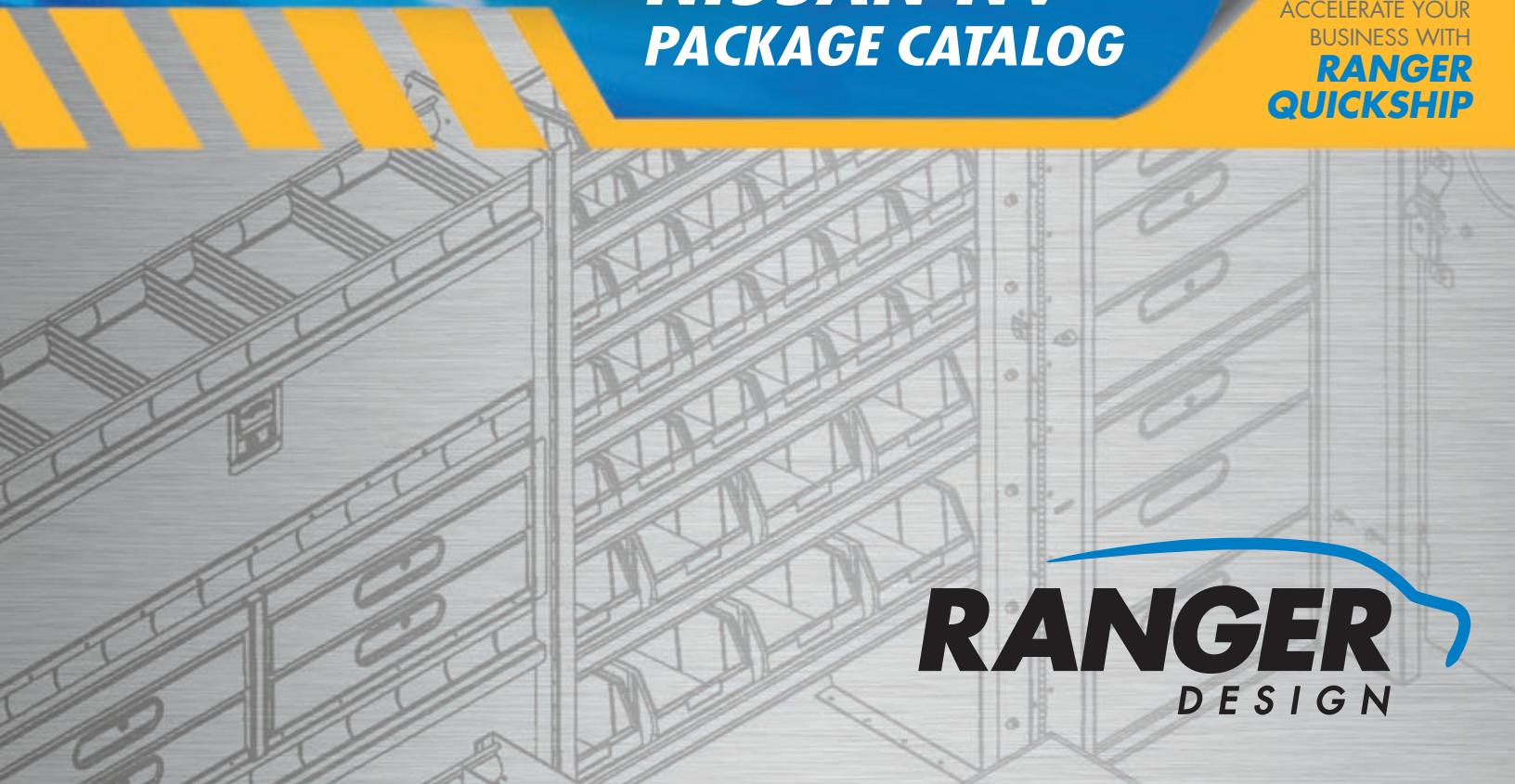
*Equipment for Commercial Vehicles*



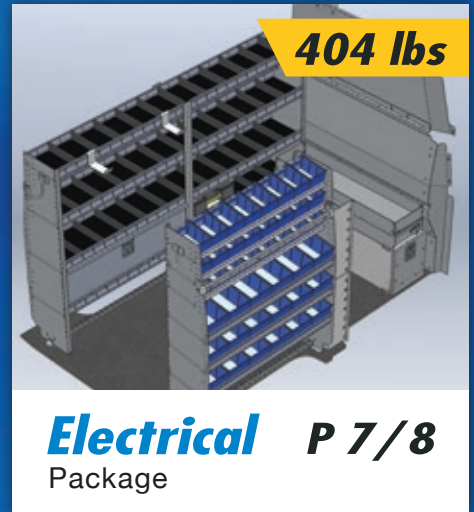
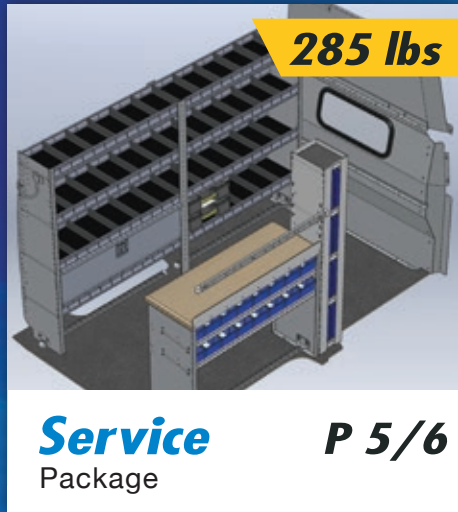
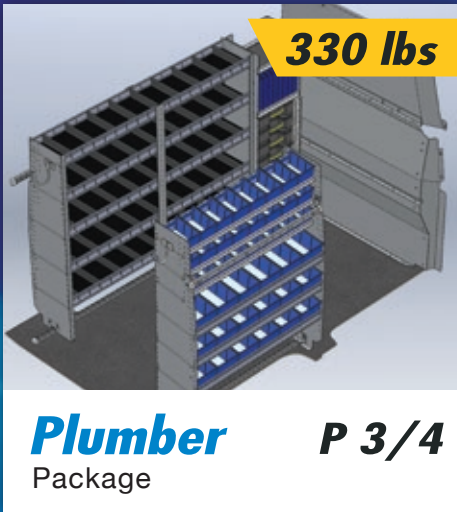
**NISSAN NV  
PACKAGE CATALOG**



ACCELERATE YOUR  
BUSINESS WITH  
**RANGER  
QUICKSHIP**



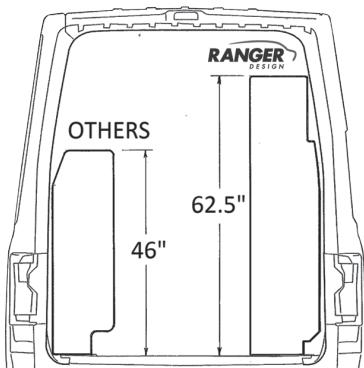
**RANGER**  
DESIGN



In 1988 a small family business with a passion for innovation and speed of service began to build equipment for commercial vehicles. Now with factories in Rochester, NY and Montreal Canada, and a strong network of dealers across North America, the same passion still drives the company today.

In our modern fast-paced world, Ranger combines old-fashioned service with state of the art technology to bring you consistent quality and strength to meet the toughest demands. This is why more Tradesmen and Fleets across the nation are turning to Ranger solutions for shelving units, storage systems, partitions and ladder racks to answer their unique needs. Contact us today and experience the Ranger difference yourself!

- The Ranger Team



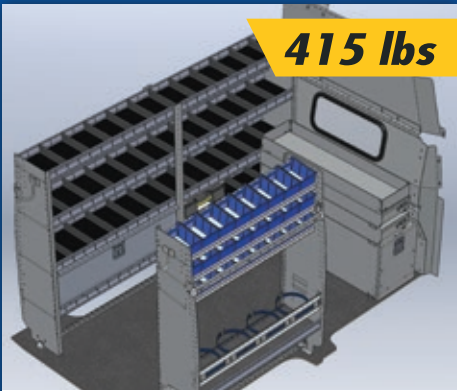
**Shelving**



**Fold-Away Shelving**



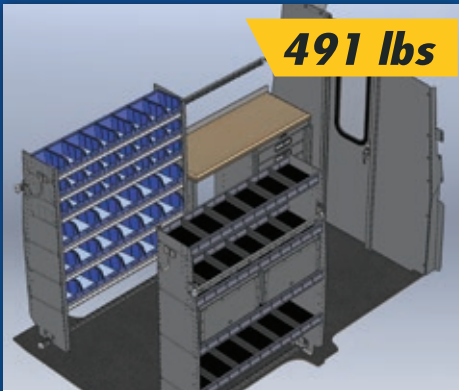
**Partitions**



**415 lbs**

**HVAC**  
Package

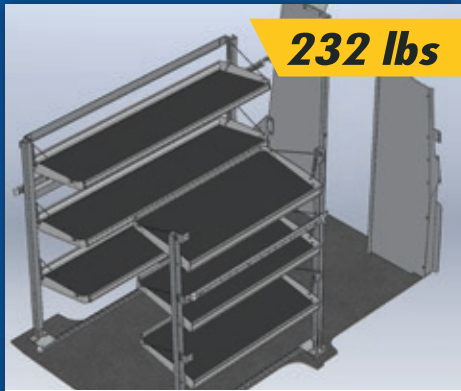
**P 9/10**



**491 lbs**

**Work  
Station**

**P 11/12**  
Package





**232 lbs**

**Delivery**  
Package

**P 13/14**

## RANGER DESIGN PROVIDES THE POWER OF 24-HOUR SHIPPING

to get you on the road to success faster than ever! Ranger **QUICKSHIP**  guarantees that selected packages with the **QUICKSHIP**  logo will ship within 24 hours if ordered before 1PM. Visit our website [www.rangerquickship.com](http://www.rangerquickship.com) for ordering details or contact one of our Customer Service representatives at [cs@rangerdesigninc.com](mailto:cs@rangerdesigninc.com).



### Quiet

A peaceful ride with no rattles



### Quick

Fastest lead times in the industry



### Tough

For the toughest



### Payload

Engineered to save weight



**Bin Shelving**



**Ladder Racks**

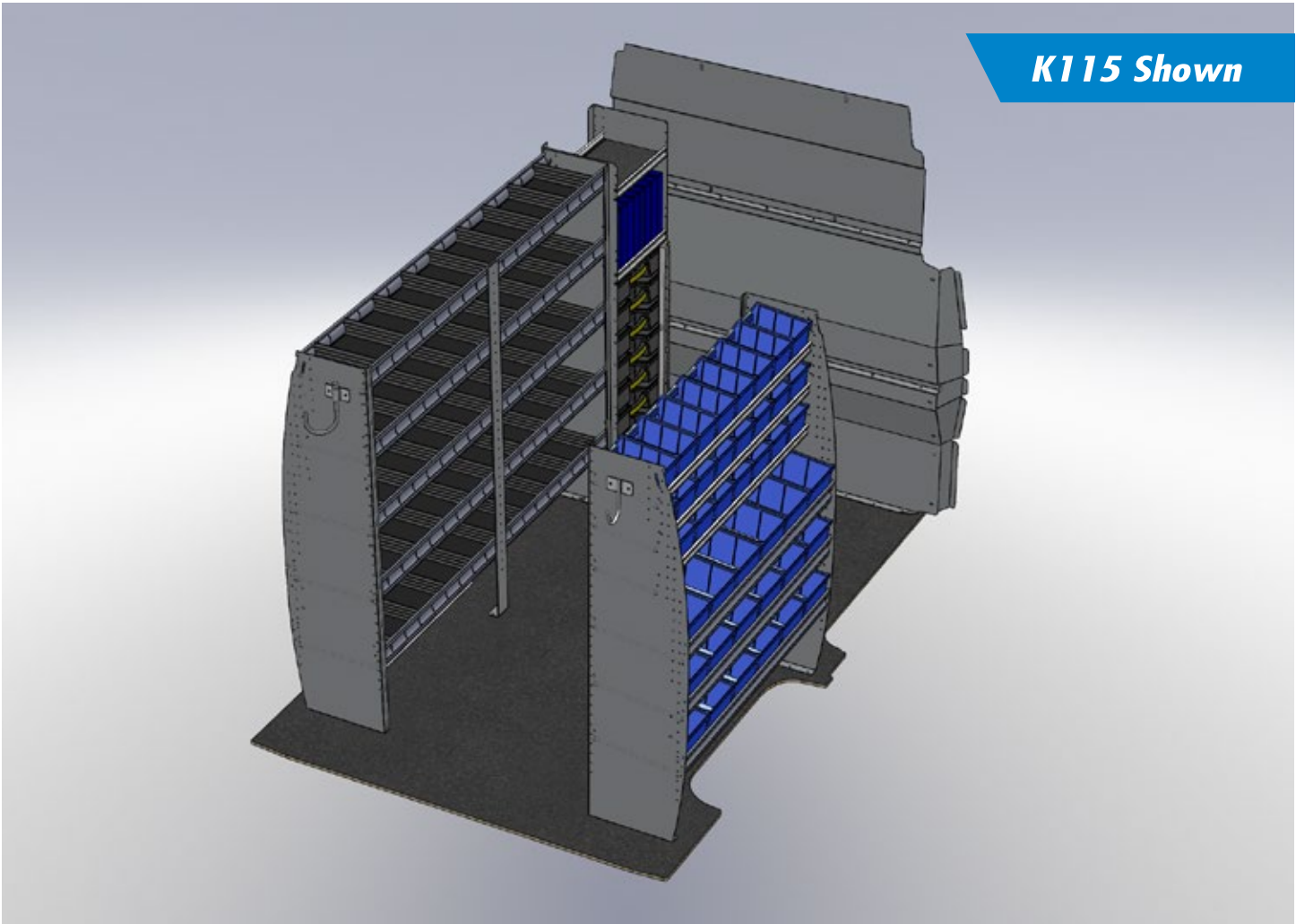


**Drawer Systems**

# ALUMINUM **PLUMBER** Package



**Optional**  
5045 Cab box



**K115 Shown**

## K015 Low Roof Nissan NV Plumber Package

**RANGER**  
PROLINE

- 1 **BB48** Contoured bin unit

---

- 1 **SB72-3** Contoured shelf unit

---

- 1 **3010-NL** Contoured safety partition

---

- 1 **5083** Partskeeper cabinet

---

- 1 **6070** 6" Hook

---

- 1 **6072** 8" Swivel hook

---

- 1 **6401** Shelving install track kit, driver side

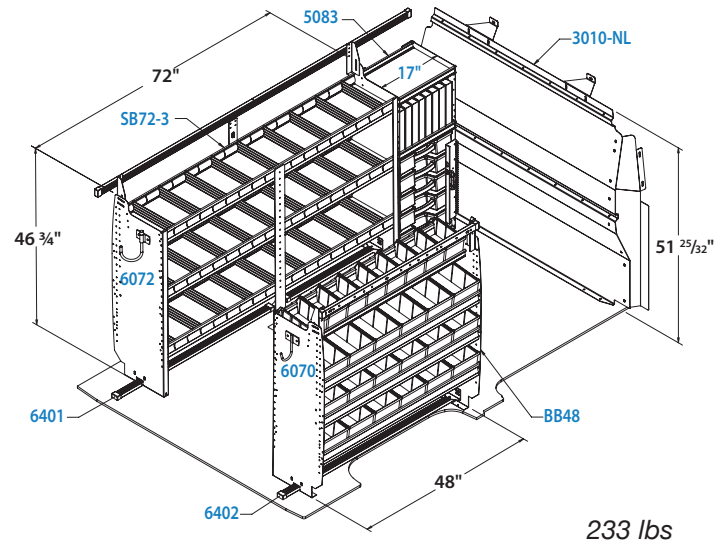
---

- 1 **6402** Shelving install track kit, passenger side

---




THIS PACKAGE IS  
**QUICKSHIP**



233 lbs

## K115 High Roof Nissan NV Plumber Package

**RANGER**  
PROLINE

- 1 **BC48** Contoured bin unit

---

- 1 **SC72-5** Contoured shelf unit

---

- 1 **3010-NH** Contoured safety partition

---

- 1 **5086** Partskeeper Cabinet

---

- 1 **6070** 6" Hook

---

- 1 **6072** 8" Swivel hook

---

- 1 **6401** Shelving install track kit, driver side

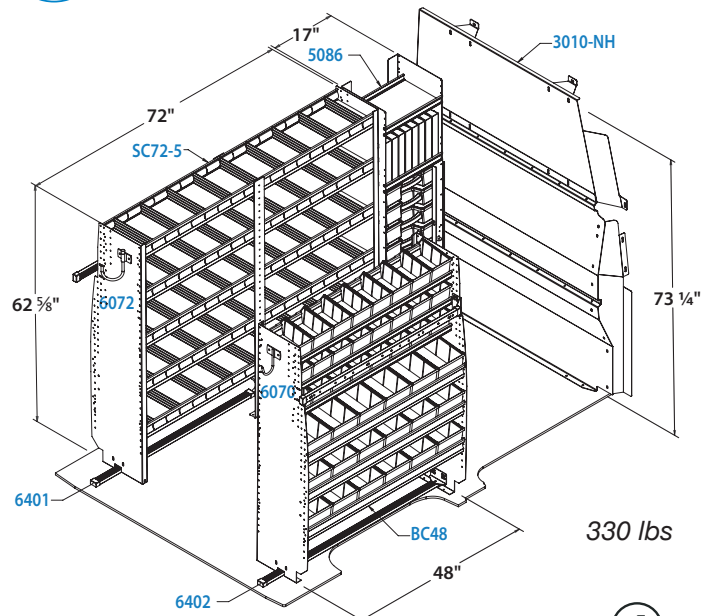
---

- 1 **6402** Shelving install track kit, passenger side

---

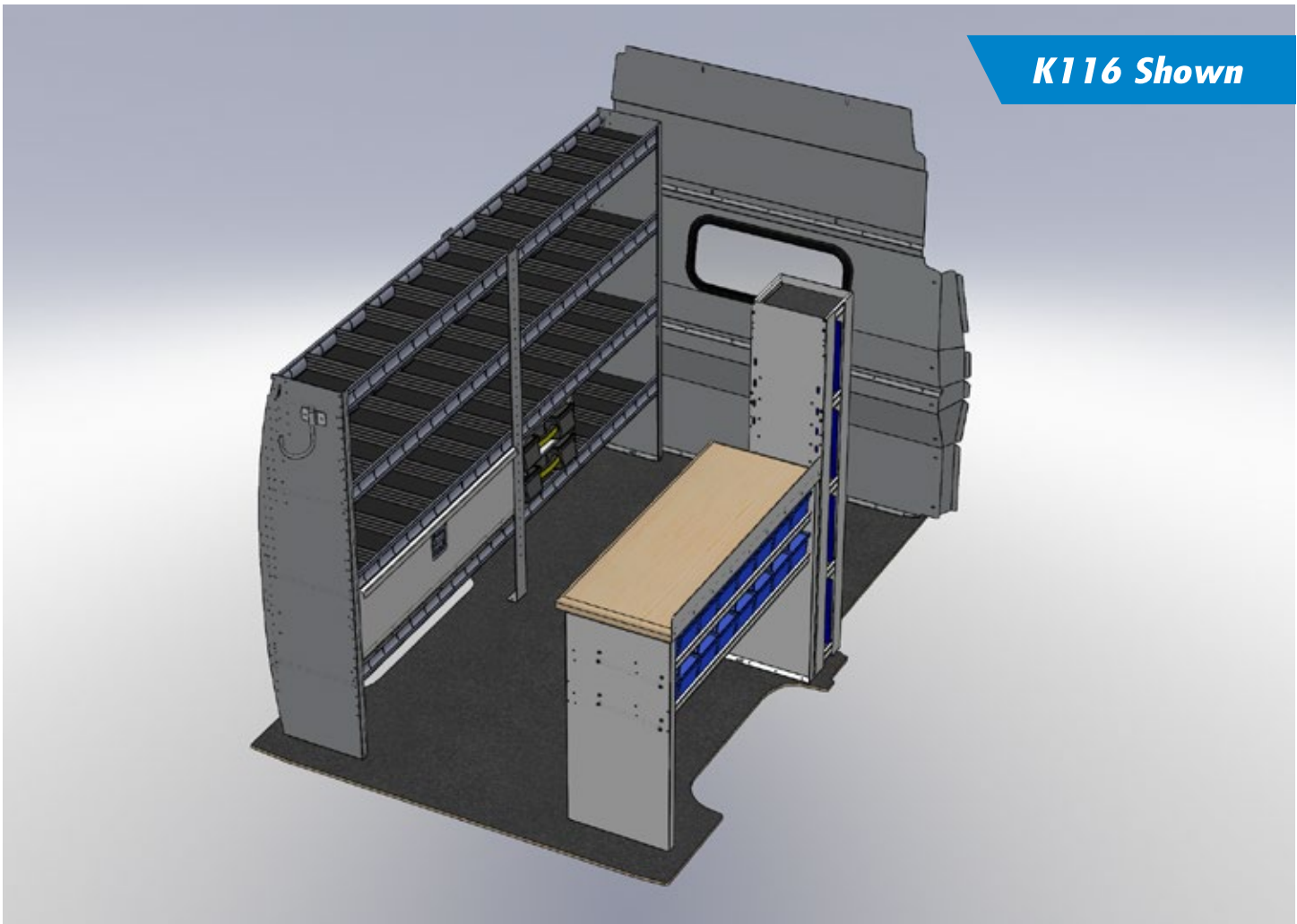



THIS PACKAGE IS  
**QUICKSHIP**



330 lbs

# ALUMINUM **SERVICE** Package



## K016 Low Roof Nissan NV Service Package



- 1 **SB96-3** Contoured shelf unit

---

- 1 **3020-NL** Contoured window partition

---

- 2 **5070** Partskeeper

---

- 1 **6070** 6" Hook

---

- 1 **6072** 8" Swivel hook

---

- 1 **6401** Shelving install track kit, driver side

---

- 1 **6402** Shelving install track kit, passenger side

---

- 1 **7109** Bookshelf

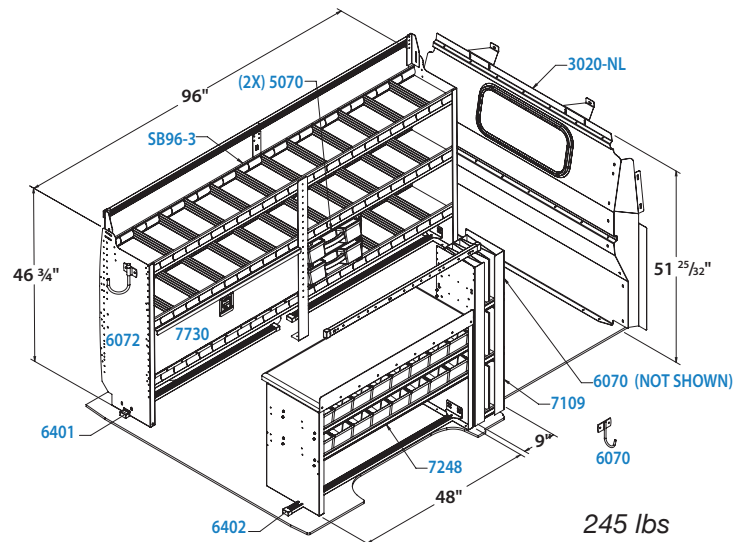
---

- 1 **7248** Workbench

---

- 1 **7730** Locking door

---

## K116 High Roof Nissan NV Service Package



- 1 **SC96-4** Contoured shelf unit

---

- 1 **3020-NH** Contoured window partition

---

- 2 **5070** Partskeeper

---

- 1 **6070** 6" Hook

---

- 1 **6072** 8" Swivel hook

---

- 1 **6401** Shelving install track kit, driver side

---

- 1 **6402** Shelving install track kit, passenger side

---

- 1 **7730** Locking door

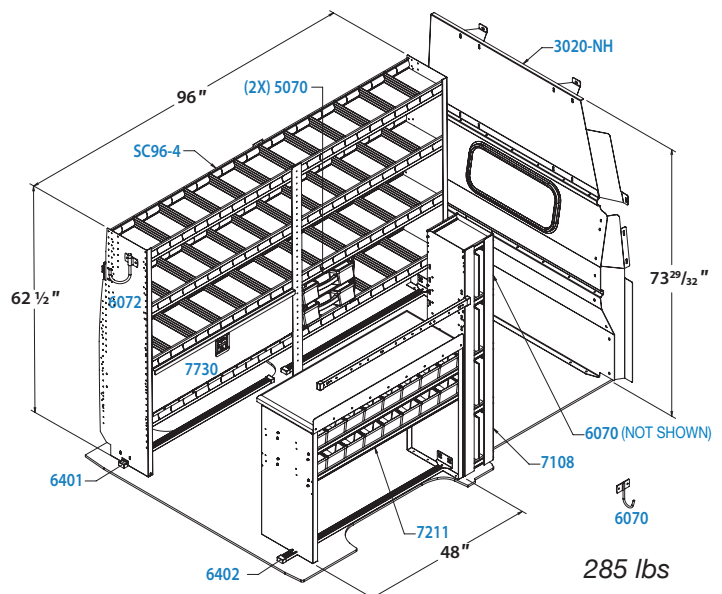
---

- 1 **7108** Bookshelf

---

- 1 **7211** Workbench

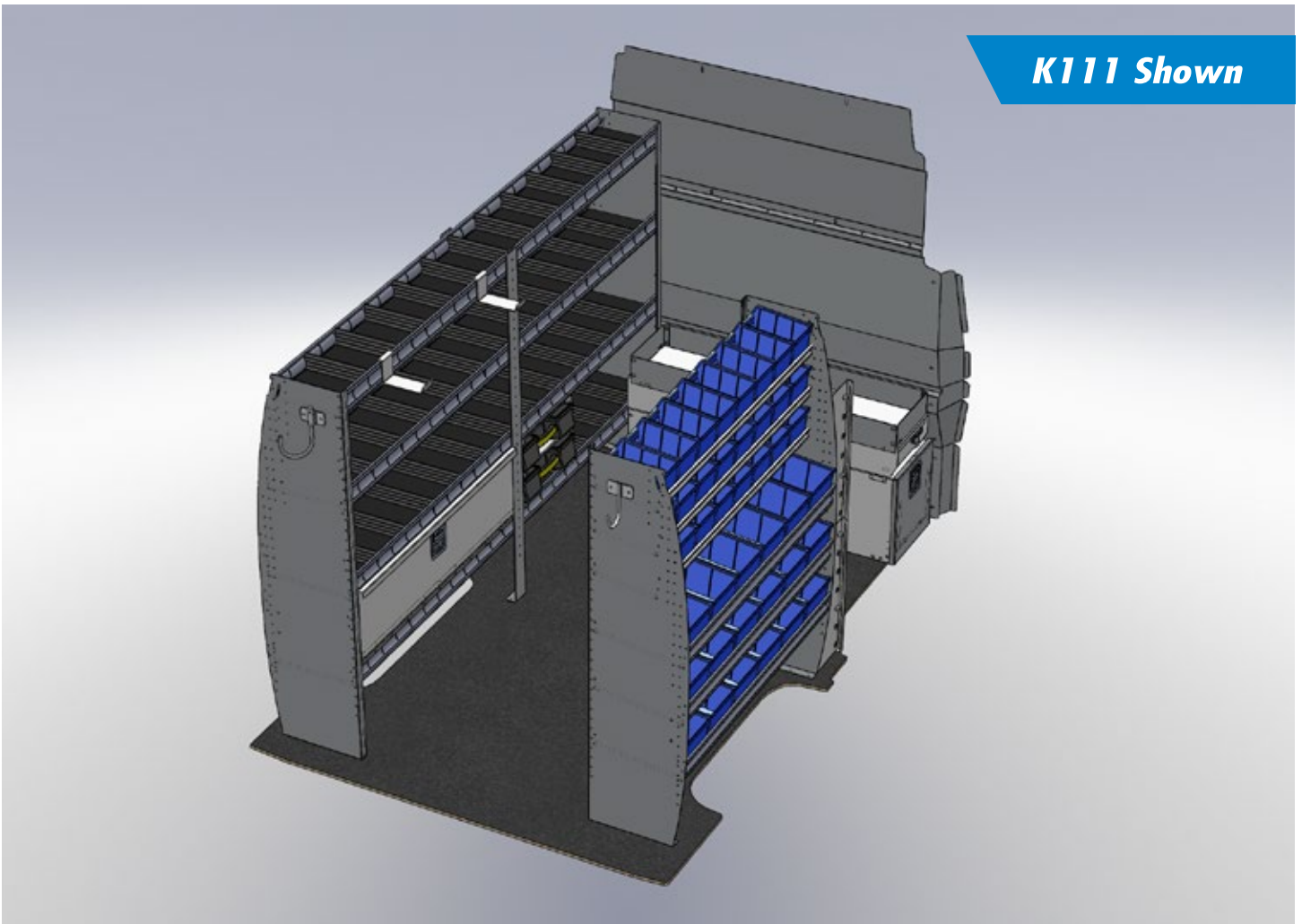
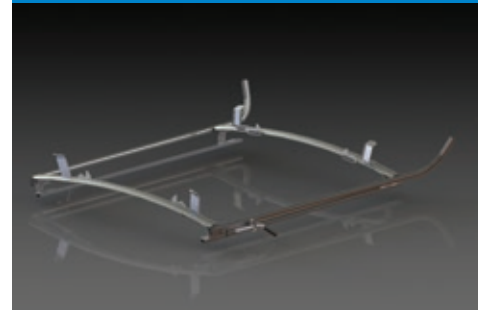
---

# ALUMINUM ELECTRICAL Package



**Optional**  
1530-NH Double Side Ladder Rack



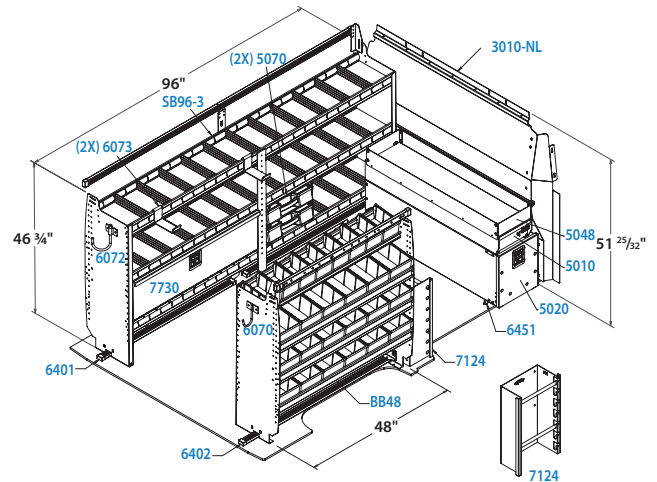
**K111 Shown**



## K011 Low Roof Nissan NV Electrical Package



- 1 **BB48** Contoured bin unit
- 1 **SB96-3** Contoured shelf unit
- 1 **3010-NL** Contoured safety partition
- 1 **5010** Partslider
- 1 **5020** Tool drawer
- 1 **5048** Top edge
- 2 **5070** Partskeeper
- 1 **6070** 6" Hook
- 1 **6072** 8" Swivel hook
- 2 **6073** Large aluminum movable hook
- 1 **6401** Shelving install track kit, driver side
- 1 **6402** Shelving install track kit, passenger side
- 1 **6451** 5020 install kit
- 1 **7124** Reel holder
- 1 **7730** Locking door

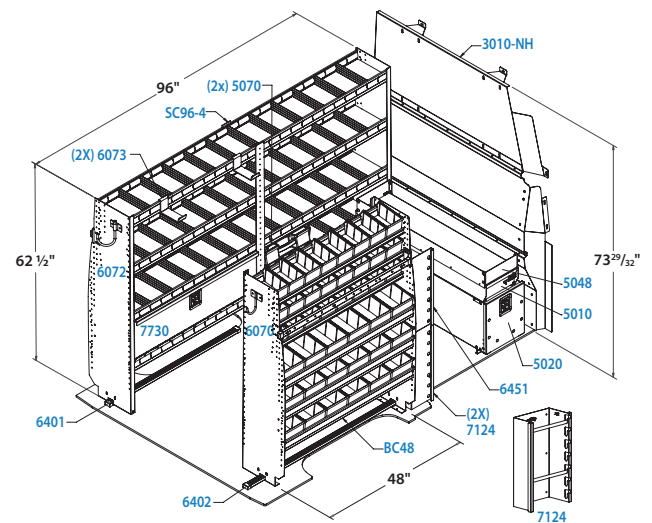


325 lbs

## K111 High Roof Nissan NV Electrical Package



- 1 **BC48** Contoured bin unit
- 1 **SC96-4** Contoured shelf unit
- 1 **3010-NH** Contoured safety partition
- 1 **5010** Partslider
- 1 **5020** Tool drawer
- 1 **5048** Top edge
- 2 **5070** Partskeeper
- 1 **6070** 6" Hook
- 1 **6072** 8" Swivel hook
- 2 **6073** Large aluminum movable hook
- 1 **6401** Shelving install track kit, driver side
- 1 **6402** Shelving install track kit, passenger side
- 1 **6451** 5020 install kit
- 2 **7124** Reel holder
- 1 **7730** Locking door

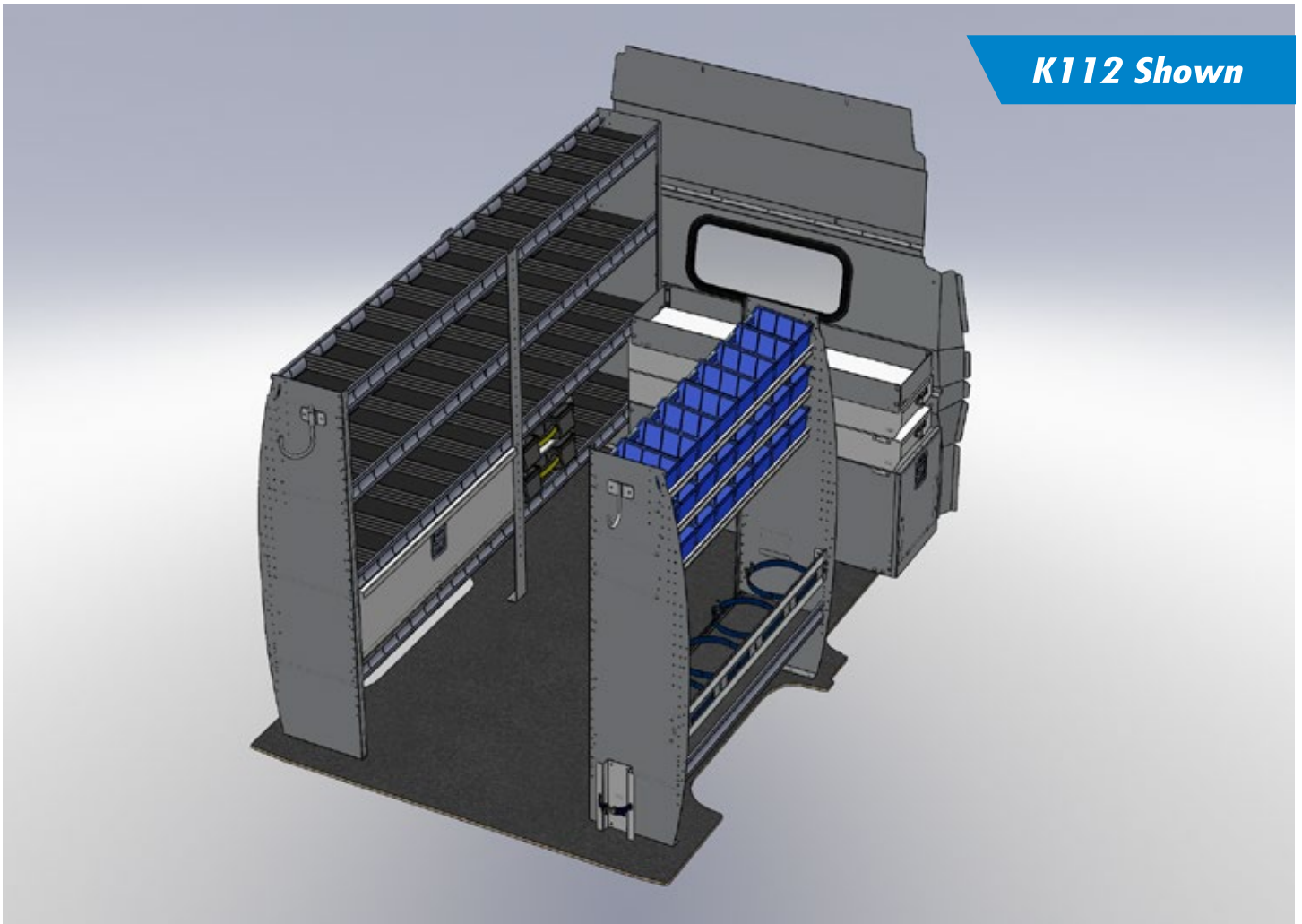
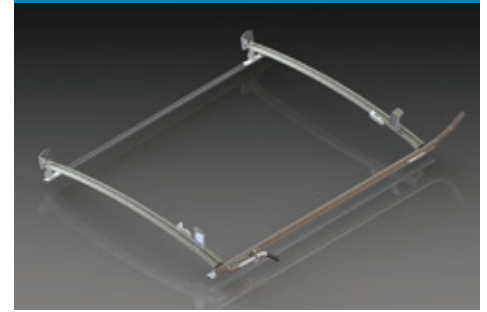


404 lbs

# ALUMINUM HVAC Package



**Optional**  
1520-NH Single clamp ladder rack

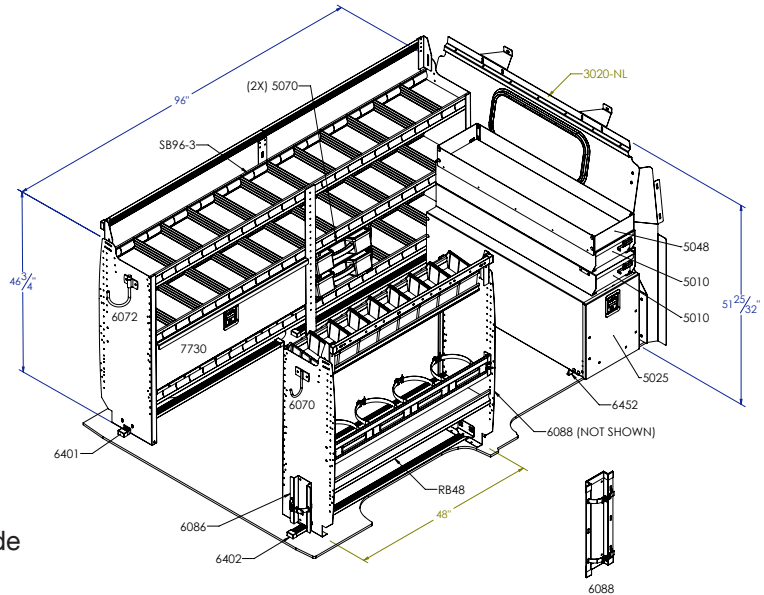


**K112 Shown**

## K012 Low Roof Nissan NV HVAC Package



- 1 **RB48** Contoured refrigerant bin unit
- 1 **SB96-3** Contoured shelf unit
- 1 **3020-NL** Contoured window partition
- 2 **5010** Partslider
- 1 **5025** Jumbo tool drawer
- 1 **5048** Top edge
- 2 **5070** Partskeeper
- 1 **6070** 6" Hook
- 1 **6072** 8" Swivel hook
- 1 **6086** Small aluminum bottle holder
- 1 **6088** Large aluminum bottle holder
- 1 **6401** Shelving install track kit, driver side
- 1 **6402** Shelving install track kit, passenger side
- 1 **6452** 5025 install kit
- 1 **7730** Locking door

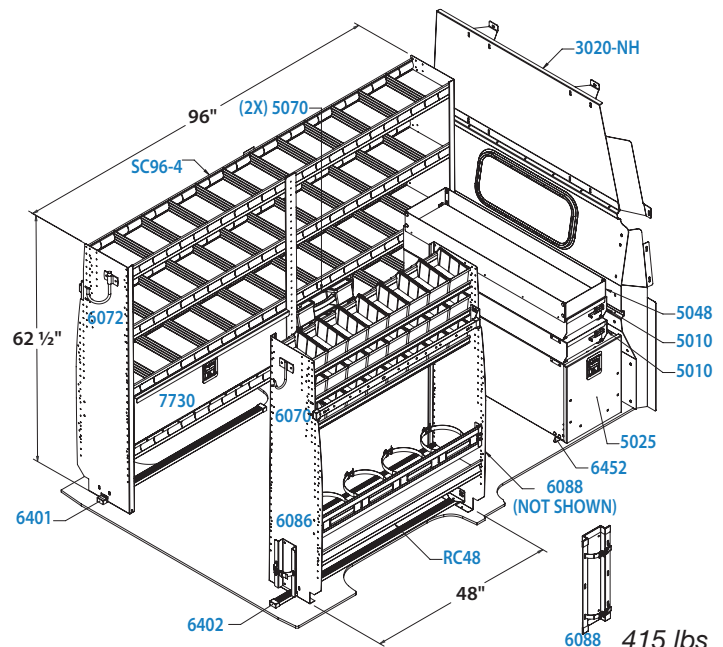


319 lbs

## K112 High roof Nissan NV HVAC Package



- 1 **RC48** Contoured refrigerant bin unit
- 1 **SC96-4** Contoured shelf unit
- 1 **3020-NH** Contoured window partition
- 2 **5010** Partslider drawer
- 1 **5025** Jumbo tool drawer
- 1 **5048** Top edge
- 2 **5070** Partskeeper
- 1 **6070** 6" Hook
- 1 **6072** 8" Swivel hook
- 1 **6086** Small aluminum bottle holder
- 1 **6088** Large aluminum bottle holder
- 1 **6401** Shelving install track kit, driver side
- 1 **6402** Shelving install track kit, passenger side
- 1 **6452** 5025 install kit
- 1 **7730** Locking door

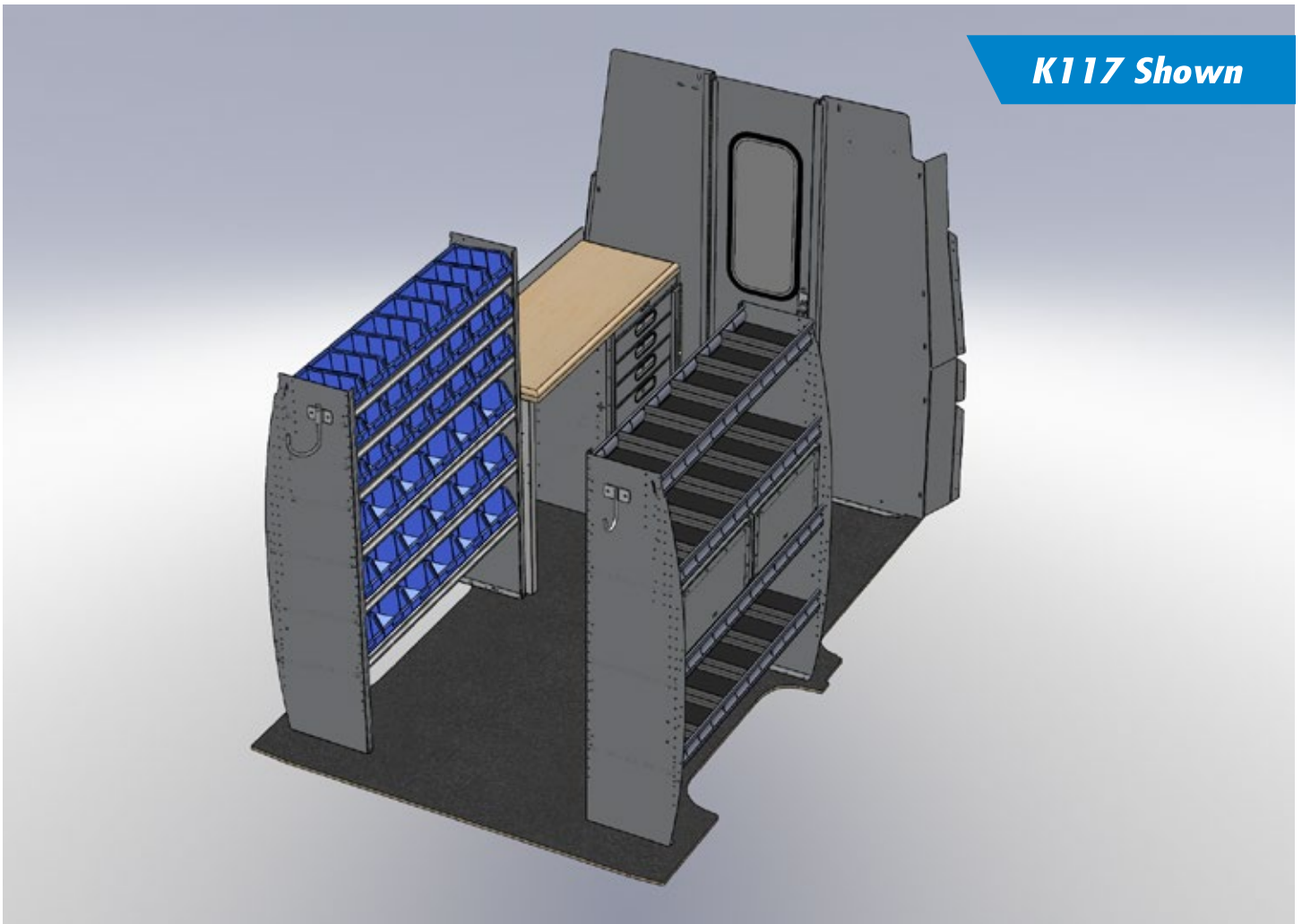


415 lbs

# ALUMINUM **WORK STATION** Package



Model # 5067-6

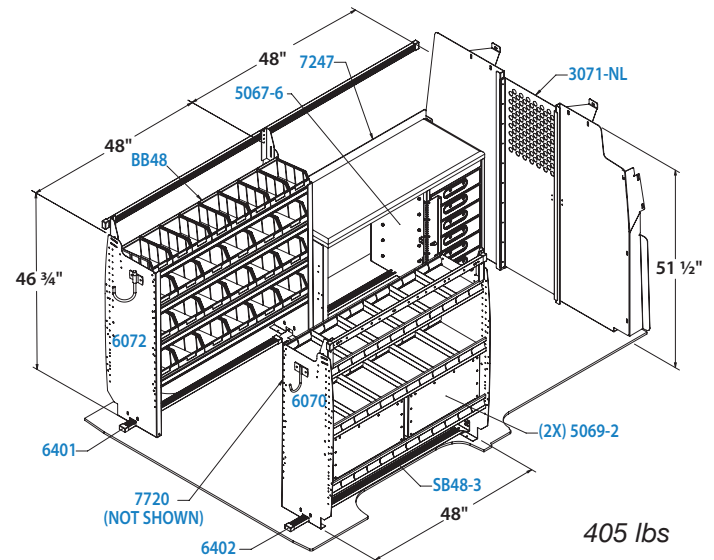


**K117 Shown**

## K017 Low Roof Nissan NV Work Station Package



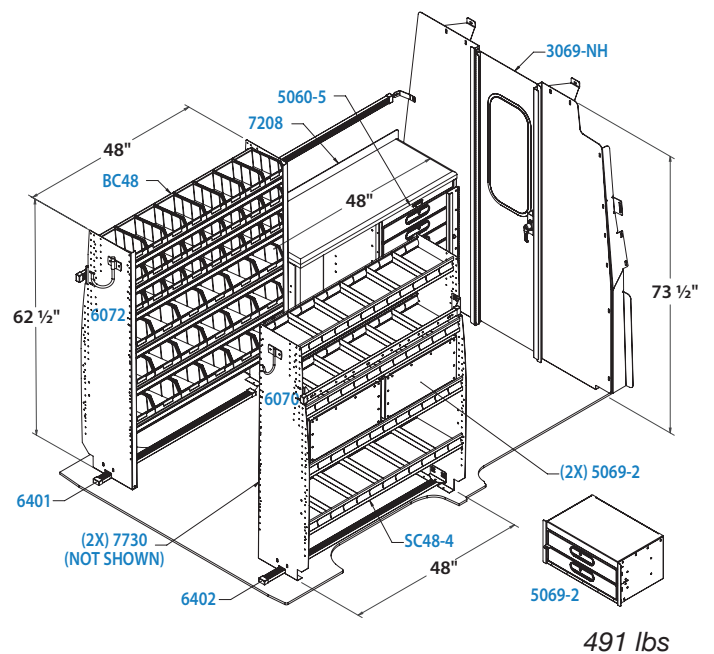
- 1 **BB48** Contoured bin unit
- 1 **SB48-3** Contoured shelf unit
- 1 **3071-NL** Swing door partition
- 1 **5067-6** 6 Drawer cabinet
- 2 **5069-2** 2 Drawer cabinet
- 1 **6070** 6" Hook
- 1 **6072** 8" Swivel hook
- 1 **6401** Shelving install track kit, driver side
- 1 **6402** Shelving install track kit, passenger side
- 1 **7247** Workbench
- 1 **7720** Locking door



## K117 High Roof Nissan NV Work Station Package



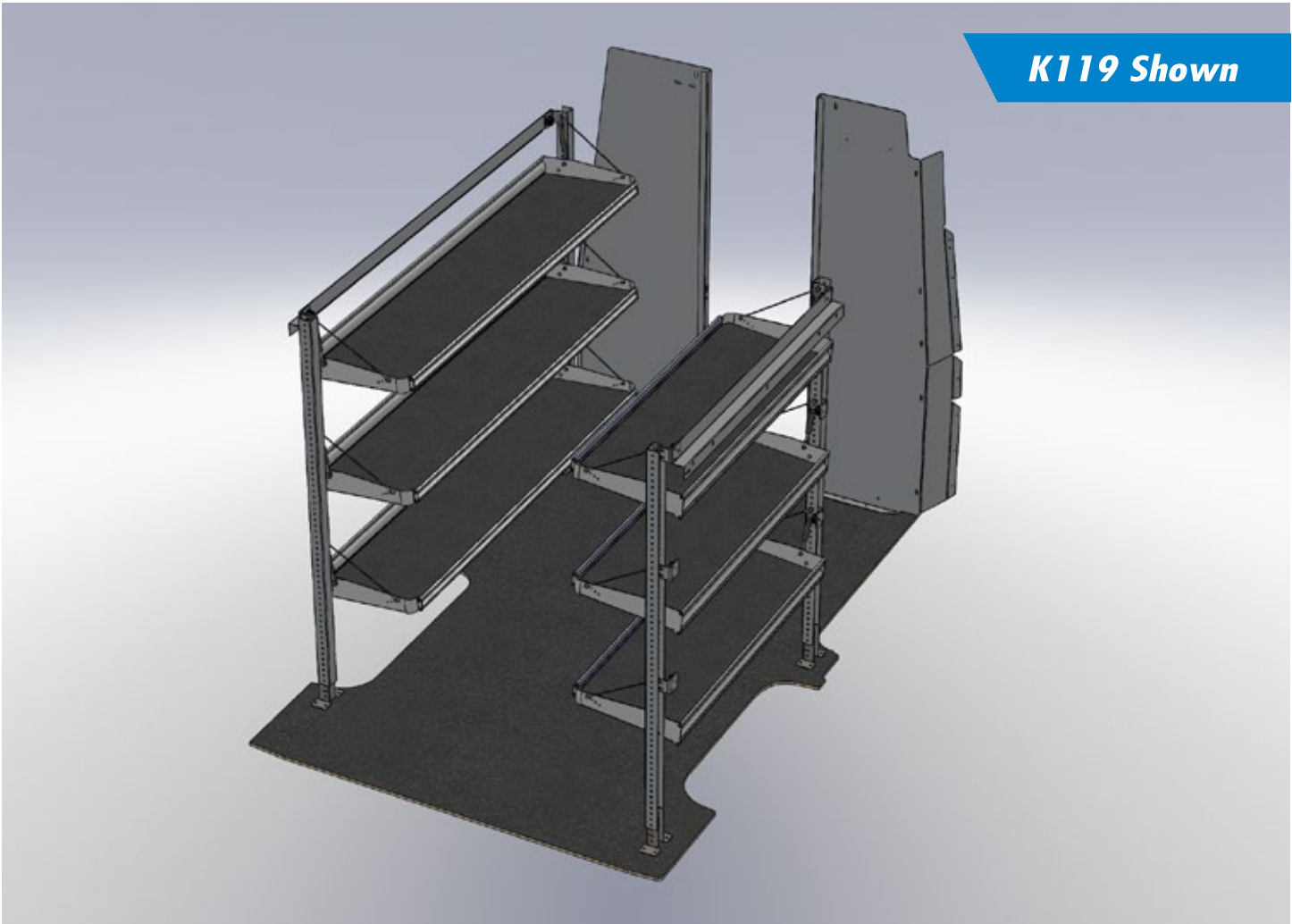
- 1 **BC48** Contoured bin unit
- 1 **SC48-4** Contoured shelf unit
- 1 **3069-NH** Swing door partition
- 1 **5060-5** 5 Drawer cabinet
- 2 **5069-2** 2 Drawer cabinet
- 1 **6070** 6" Hook
- 1 **6072** 8" Swivel hook
- 1 **6401** Shelving install track kit, driver side
- 1 **6402** Shelving install track kit, passenger side
- 1 **7208** Workbench
- 2 **7730** Locking door



# ALUMINUM **DELIVERY** Package



**Optional**  
6067 2 Slot Paper Holder



**K119 Shown**



## K019 Low Roof Nissan NV Delivery Package



- 1 **3064-NL** Set of single partitions

---

- 1 **84-7105** Fold-Away shelving install kit, driver side

---

- 1 **84-7106** Fold-Away shelving install kit, passenger side

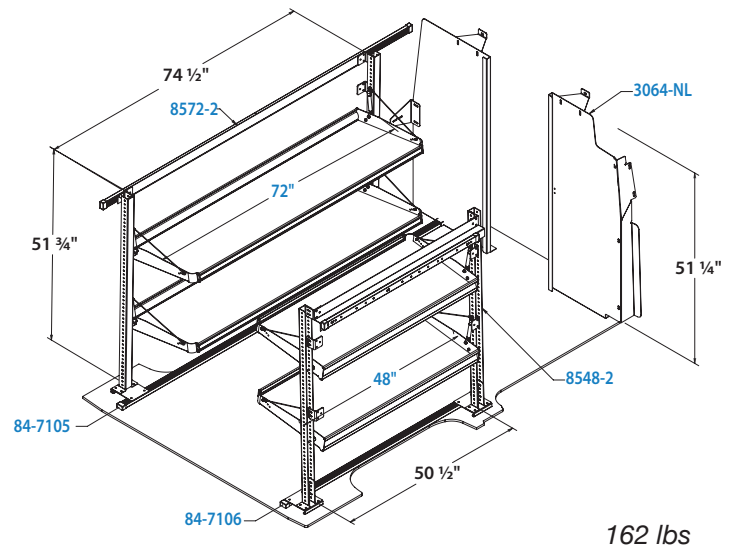
---

- 1 **8548-2** Fold-Away shelving unit

---

- 1 **8572-2** Fold-Away shelving unit

---

## K119 High Roof Nissan NV Delivery Package



- 1 **3064-NH** Set of single partitions

---

- 1 **8448-3** Fold-Away shelving unit

---

- 1 **84-7105** Fold-Away shelving install kit, driver side

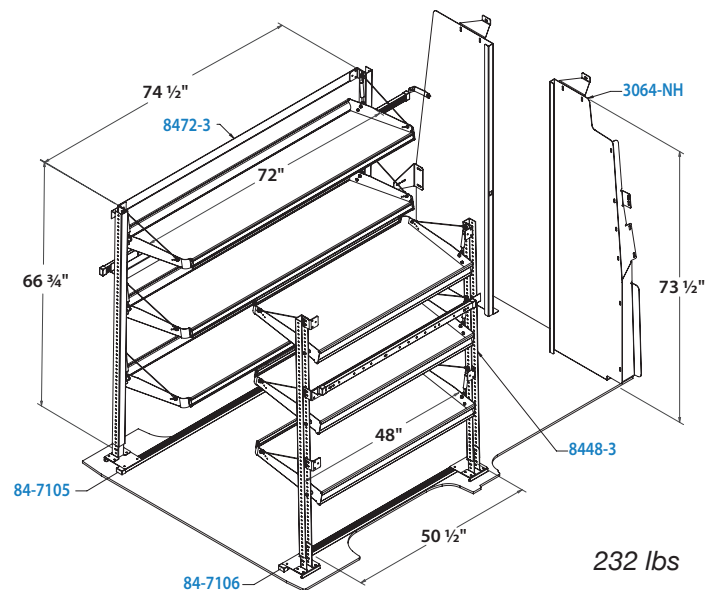
---

- 1 **84-7106** Fold-Away shelving install kit, passenger side

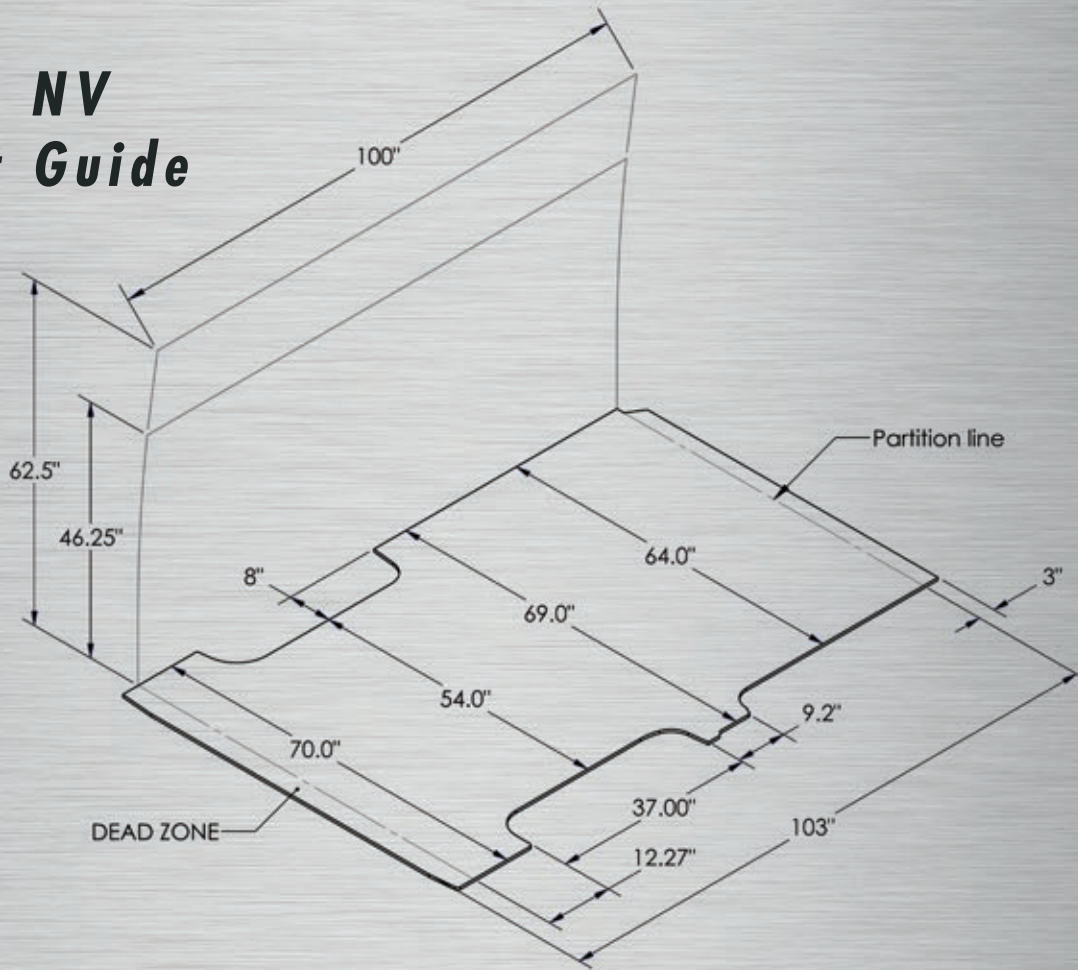
---

- 1 **8472-3** Fold-Away shelving unit

---

# Nissan NV Layout Guide



**RANGER**  
DESIGN

Customer Service:  
(800)565-5321  
cs@rangerdesigninc.com

[www.rangerdesign.com](http://www.rangerdesign.com)  
[info@rangerdesign.com](mailto:info@rangerdesign.com)



Your Local Dealer:

M110-116